

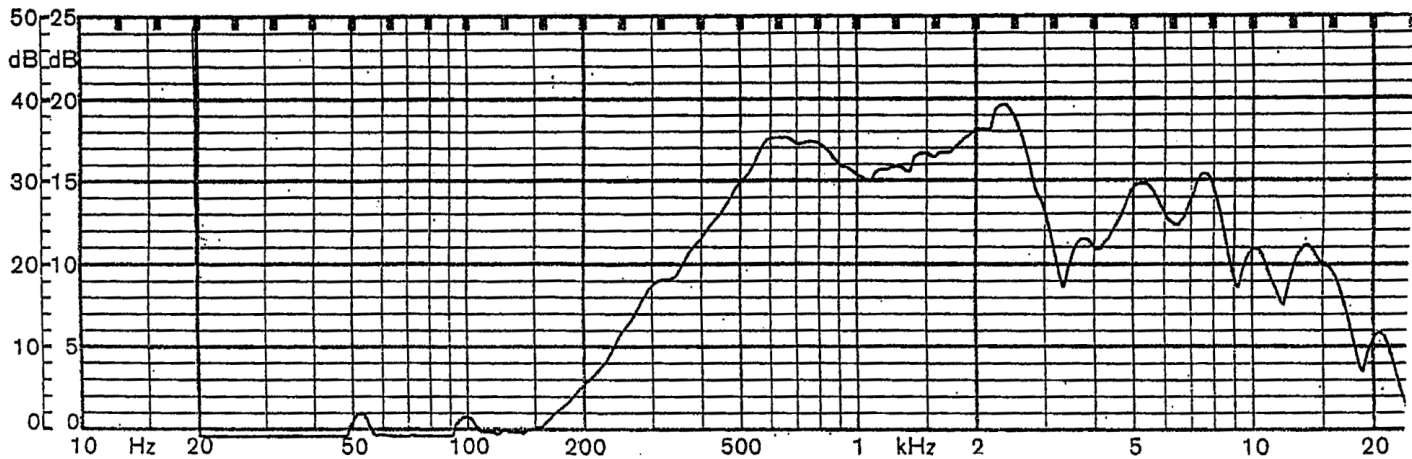


**Specifications**

|                      |  |   |
|----------------------|--|---|
| Nominal Size         | 45 mm                                  | 1 3/4 inch.                                 |
| Impedance            | 8 Ohm ± 15%                            | at 1 KHz 1 V                                |
| Resonant frequency   | 550 Hz ± 110 Hz                        | at 1 V                                      |
| Sound pressure level | 82 dB/w ± 3 dB                         | 0.2 w 50 cm ave. at 0.9K, 1K, 1.3K, 1.5K Hz |
| Response             | Fo Hz ~ 10 KHz max 10 dB               |   |
| Input power          | Nominal 0.2 W                          | Handling capacity 0.5 W                     |
| Operation            | must be normal at program source 0.2 W |   |
| Buzz, rattle, etc.   | must be normal at sine wave 1.26 V     |   |
| Magnet               | Size: 12.5 x 1.5 mm                    |   |
| Load test            | White noise 0.2 W                      | for 5 hours                                 |
| Heat test            | 70 ± 2° C                              | 20-50% R.H. 5 hours                         |
| Humidity test        | 40 ± 2° C                              | 90-95% R.H. 5 hours                         |

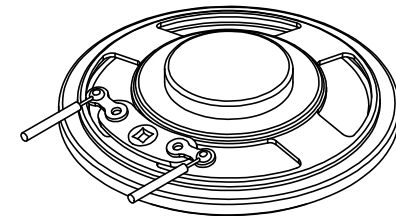
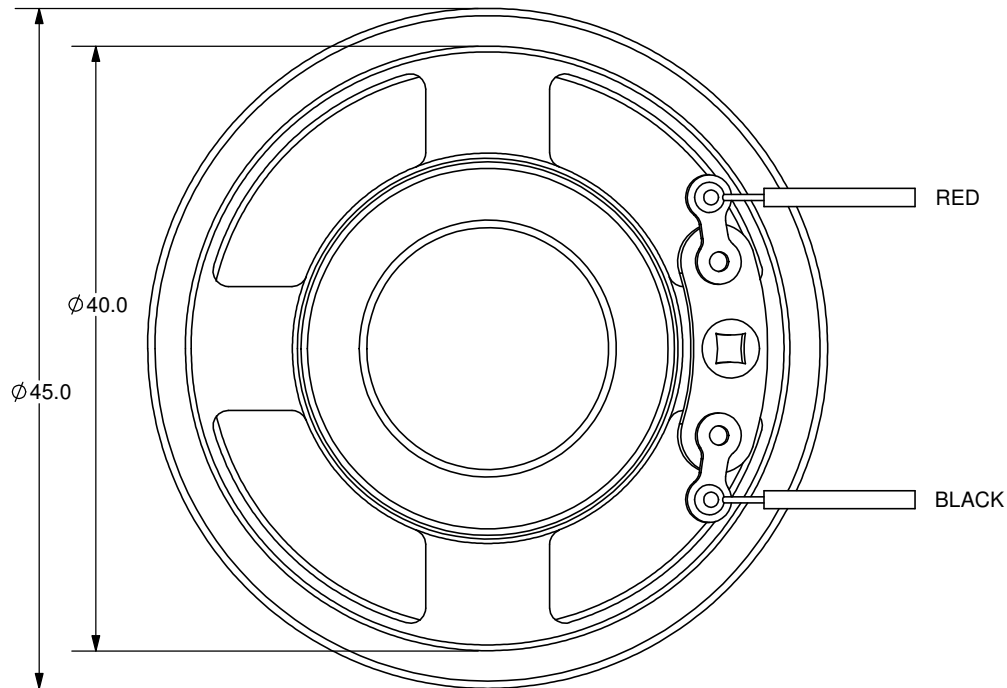
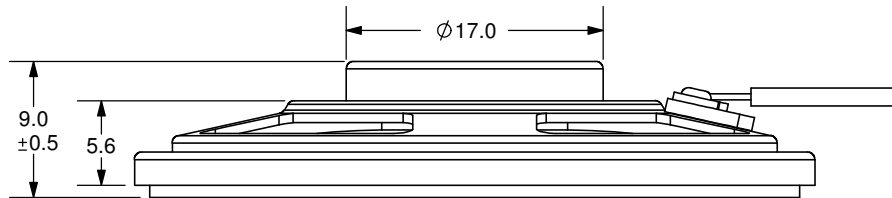
**Frequency Response Curve**

|                       |            |
|-----------------------|------------|
| Potentiometer range   | 50 dB      |
| Rectifier             | RMS        |
| Lower limit frequency | 20 Hz      |
| Wr. speed             | 100 mm/sec |



Zero level 50 dB

| REV. | DESCRIPTION | DATE     |
|------|-------------|----------|
| A    | NEW DRAWING | 7/3/2007 |



SCALE 1:1

SPECIFICATIONS:  
 WIRE: UL1007, #28AWG  
 LENGTH: 152mm

TOLERANCE:  
 ±0.5mm UNLESS OTHERWISE  
 SPECIFIED



**CUI INC**

20050 SW 112th Ave.  
 Tualatin, OR 97062  
 Phone: 503-612-2300  
 800-275-4899  
 Fax: 503-612-2383  
 Website: www.cui.com

|                            |                    |            |
|----------------------------|--------------------|------------|
| TITLE: LOW PROFILE SPEAKER |                    | REV: A     |
| PART NO. CLS0451M-L152     | UNITS: MM [INCHES] |            |
| DRAWN BY: ZRJ              | APPROVED BY:       | SCALE: 2:1 |

PC FILE NAME:  
 CLS0451M-L152

COPYRIGHT 2007 BY CUI INC.